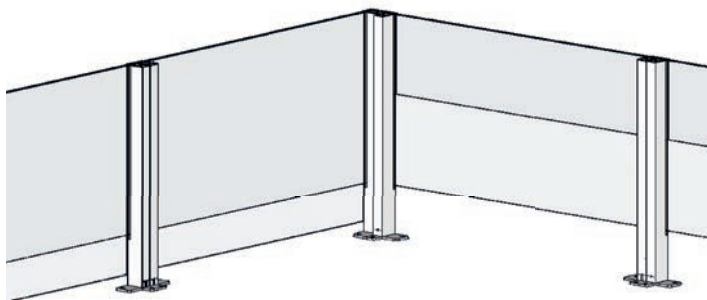


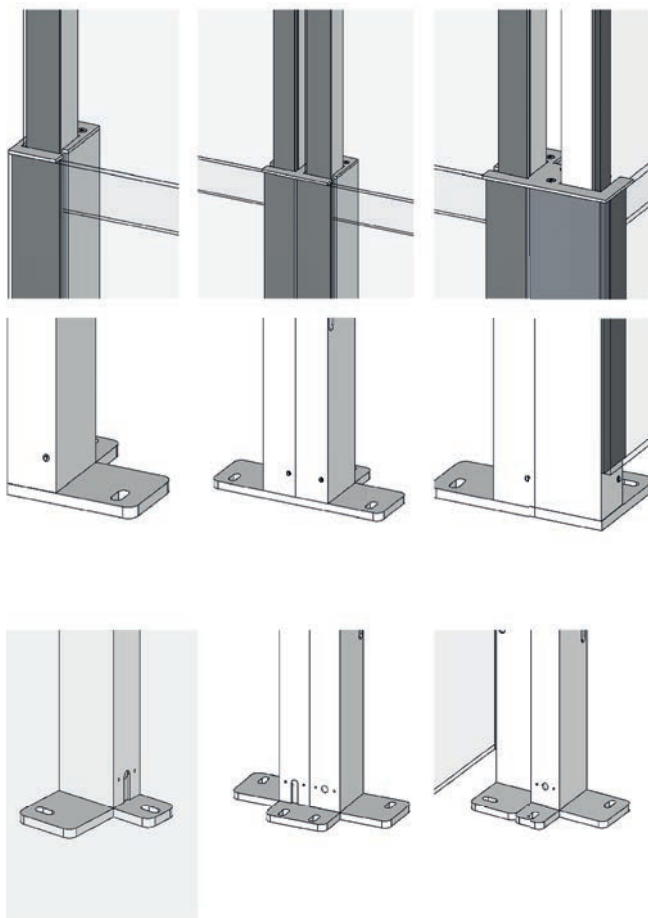
# ClickitUp® Inside 1100

**Product type** Height adjustable glass balustrade  
**Product family** ClickitUp® Inside

**ErgoSafe®**  
FLEXIBLE GLASS SOLUTIONS



ClickitUp® Inside is available in two variants. It is the fixed lower glass that is the difference between the variants.



## Description

Height adjustable glass balustrade

## Safety

CE marked as per the machinery directive 2006/42/EC. May only be combined with balustrades that are approved where there exists a risk of falling.

**Manufacturing method** Structural glazing is used to mount the glass on aluminium posts

## Drive mechanism

The system employs semi-automatic gas strut technology that raises the movable section

## Baseplate mounts

Baseplate mounts are available as single, double and corner variants.

## Cover caps

Cover caps are available as single, double and corner variants.

## Material

Glass, aluminium and stainless steel

## Glass fixed section/Glass movable section

Toughened glass 8 mm/Toughened glass 6 mm

## Height lowered balustrade/ Height raised position

1100 mm/1900 mm

## Width measurement straight section

Max 2000 mm

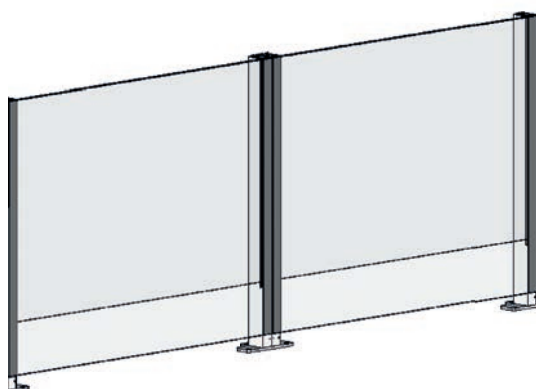
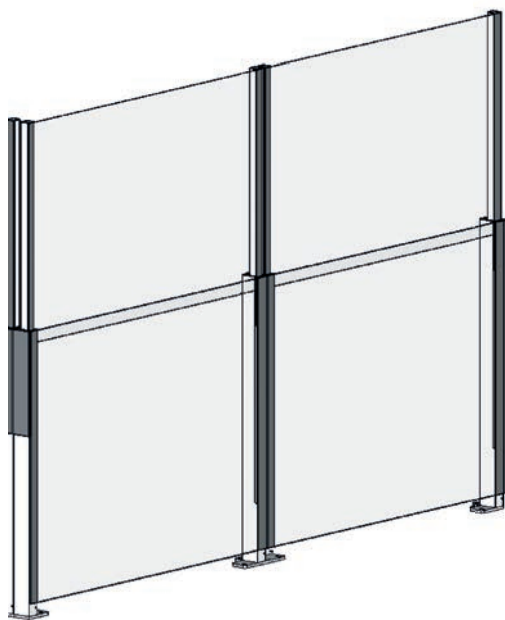
## Surface treatment

Natural anodised as standard. As an option at an additional charge, black anodised or powder coated in a RAL colour

## Installation

ClickitUp® sections are supplied ready-assembled. Sections are linked together during installation to form a system with the help of double cover caps and double baseplate mounts.

# ClickitUp<sup>®</sup> Inside 1100



ClickitUp<sup>®</sup>  
by ErgoSafe<sup>®</sup>