

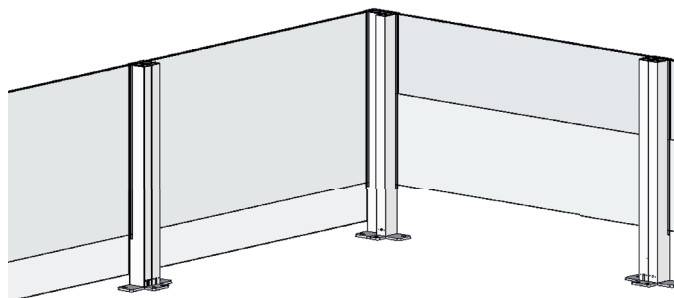
# ClickitUp<sup>®</sup>Inside 600

**Product type**

Height adjustable glass balustrade

☒PDB☒☒

☒T☒☒I☒BM☒USBE☒



5I☒BS☒☒G☒☒T☒☒6☒☒B☒  
☒☒6☒☒☒UI☒☒M☒HMBTTUIBU  
E☒U☒☒I☒UI☒S☒TB☒☒T☒G☒TC☒UE☒T  
☒☒CBM☒USBE☒BMS☒E☒ UBMM☒

**Description**

Height adjustable glass balustrade

**Safety**

CE marked as per the machinery directive 2006/42/EC. May only be combined with balustrades that are approved where there exists a risk of falling.

**Manufacturing method**

Structural glazing is used to mount the glass on aluminium posts

**Drive mechanism**

The system employs semi-automatic gas strut technology that raises the movable section

**Baseplate mounts**

Baseplate mounts are available as single, double and corner variants.

**Cover caps**

Cover caps are available as single, double and corner variants

**Material**

Glass, aluminium and stainless steel

**Glass fixed section/Glass movable section**

Toughened glass 8 mm/Toughened glass 6 mm

**Height lowered balustrade/ Height raised position**

1100 mm/1900 mm

**Width measurement straight section**

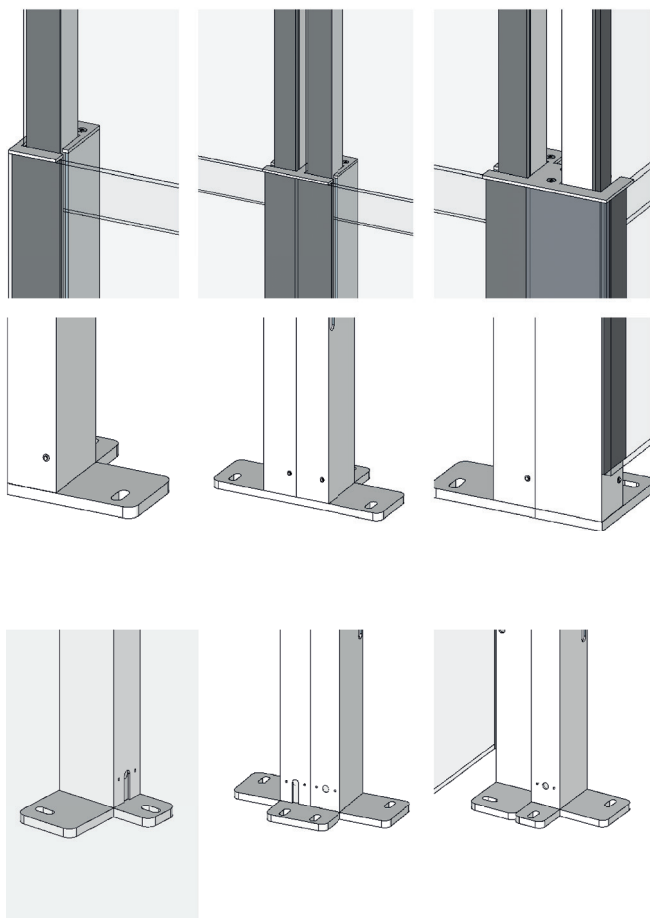
max 1500 mm

**Surface treatment**

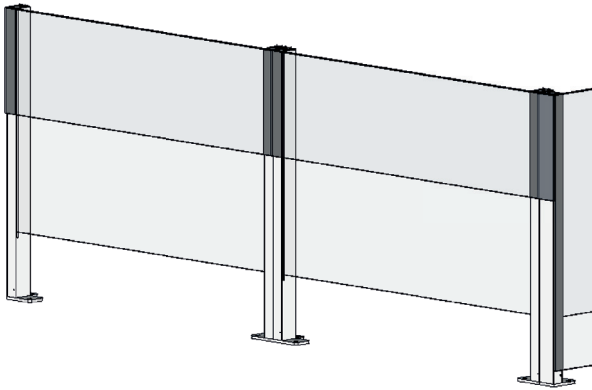
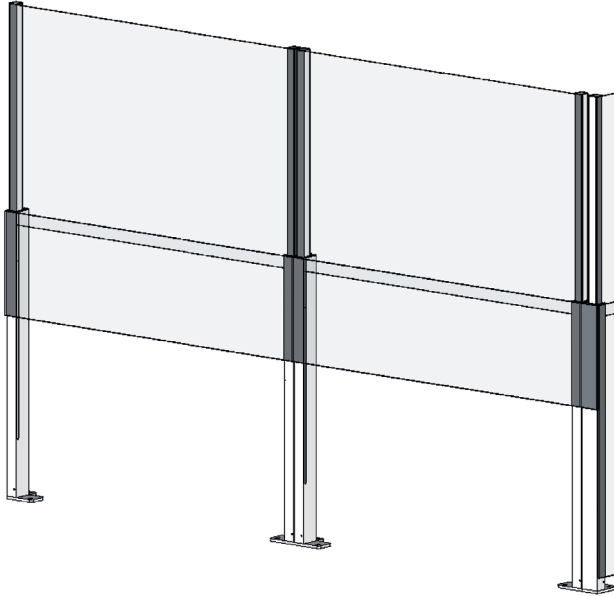
Natural anodised as standard. As an option at an additional charge, black anodised or powder coated in a RAL colour

**Installation**

ClickitUp<sup>®</sup> sections are supplied ready-assembled. Sections are linked together during installation to form a system with the help of double cover caps and double baseplate mounts.



# ClickitUpInside 600



ClickitUp<sup>®</sup>  
by ErgoSafe<sup>®</sup>