

# Instruction Manual CiUFixed/CiUFlex



ClickitUp®  
by ErgoSafe®

# Contents

Safety .....	3
Reception - unloading .....	3
Installation .....	4
Preparations prior to installation .....	4
Installation .....	5
Technical specification .....	6
Use .....	7
Warranty .....	7
Dismantling .....	7

## Safety

### GLASS

Glass is made user safe. With upgrade: See ClickitUp

## Reception - unloading

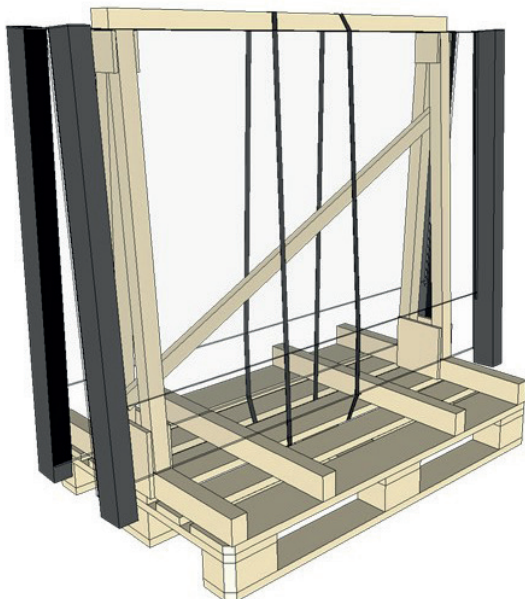
### ON DELIVERY

In connection with the delivery of ErgoSafe's glass railing, a delivery check should be carried out to detect transport damage or other defects in the packaging and/or product. Any delivery damage must be noted on the shipping company's consignment note and ErgoSafe must be notified at the latest one week after receipt of the delivery. Thereafter, it is not possible to cite discrepancies regarding the delivery.

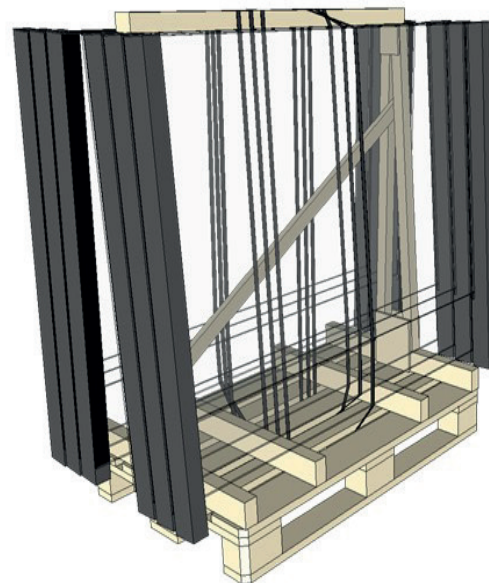
### UNLOADING FROM PALLETS

Note that unloading must be performed in a specific order, otherwise personal injury can occur. There is also a risk of product damage. Set the pallets on a flat surface.

1. Start by removing the packaging plastic
2. Then lift off the sections that are to be installed from pallets
3. Remember to secure the sections remaining on pallets so these do not fall

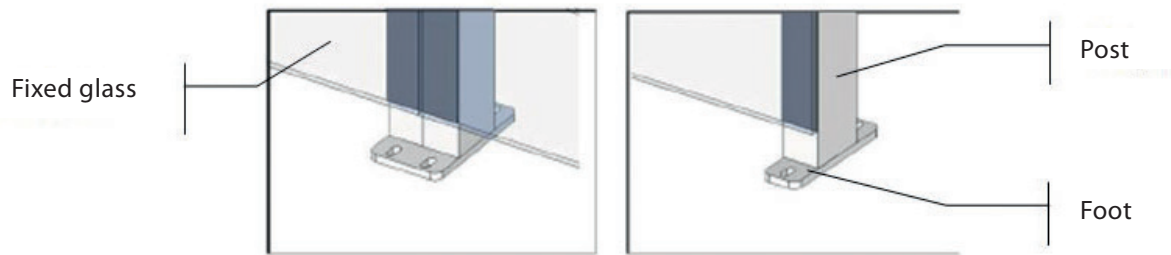


Each section is individually secured on the packaging to prevent falling during unloading



Loosen the straps gradually as sections are installed. Each package can hold up to 6 sections.

## Installation



## Preparations prior to installation

Below is a description of what is important to consider when installing a glass railing from ErgoSafe. Read through the manual before starting to install.

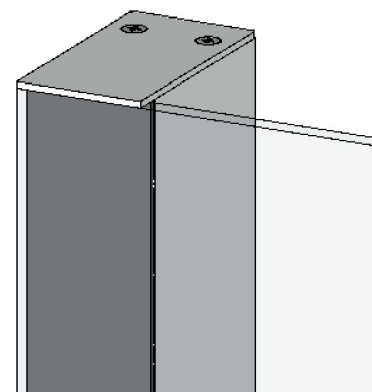
Each section is delivered ready-assembled. Sections are linked together to form a system with the help of double cover caps and double baseplate mounts. The substrate must be dimensioned according to current standards. When attaching to concrete, the section must be mounted with rubber cloth against the concrete surface.

Our sections is delivered complete with cover caps and baseplate mounts, single or double depending on what is specified on the order. During transport the section/sections are fitted with transport cover caps.

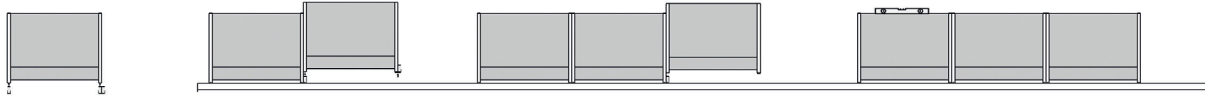


6 screws per section are supplied, intended to secure installed section.

**Note! Screws for fastening in the substrate are not included.**



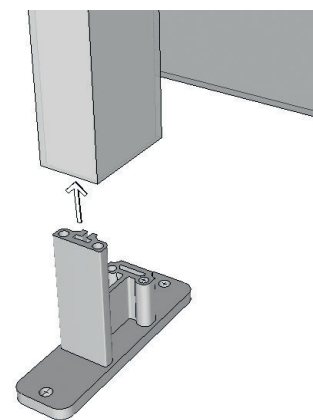
Single cover cap with 2 screws



## Installation

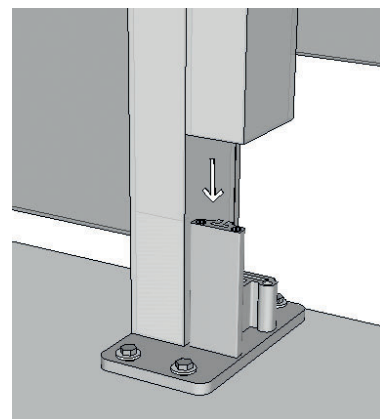
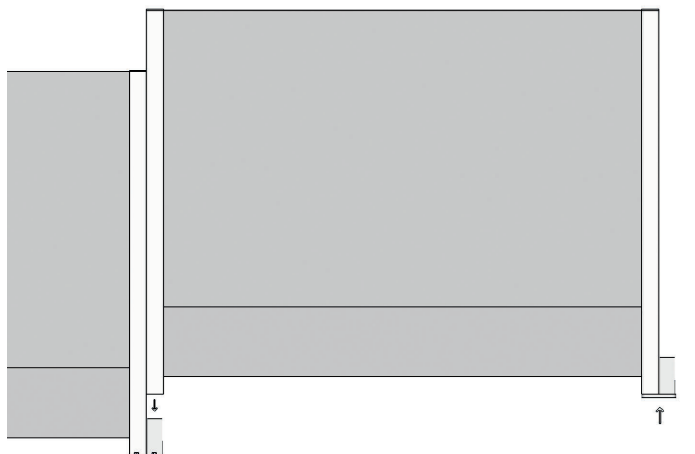
### 1. Install the first section

Measure out a straight line where the glass railing is to be installed. Note that if the ground slopes the posts will be in their bottom position at the ground's highest point. Any adjustments are made as per figure 3. If corners are to be installed, start with this. Place the first section on the baseplate mounts. Use the fastening fittings on the baseplate mounts that are designed for the glass balustrades substrate. ErgoSafe recommends attaching the section to a stable surface, concrete or timber. Once the first section is in position, prepare single/double mounts for the next section.



### 2. Install all sections

Set out the other sections. Continue as per the same principle until all sections are in position.



## Technical specification

Product	<b>CiUFixed</b>	<b>CiUFlex</b>
Description	Glass balustrade	Glass balustrades with the possibility to upgrade to ClickitUp which has an upper movable part
Safety	Glass is designed to be user-safe	Glass is made user safe. With upgrade: See ClickitUp
Production method	Structural glazing is used to mount the glass onto aluminium poles.	
Ground mounts	Standard, angled	
Covers	Single, double, offset corner	
Material	Glass, aluminium and stainless steel	
Glass	8 mm tempered glass	
Height	1100mm	1100 mm. With upgrade: See ClickitUp
Max width straight section	Max 2000 mm	Max 2000 mm
Surface treatment	Natural anodising as standard. Optional black anodising or powder-coating from the RAL colour chart (fixed posts only)	

## Use

### MAINTENANCE

In order for stainless steel details (the cover cap) to maintain their appearance they should be polished annually.

## Warranty

In order for the warranty to be valid the conditions A-C must be met:

**A:** When invoking the warranty, the seller must be contacted to assess the complaint with regard to the warranty. The seller must confirm that the fault is of such a nature that it is covered by the warranty. All interventions or measures on the product that do not go through ErgoSafe's complaints department invalidate the warranty and are entirely the responsibility of the person who has performed or ordered the work.

**B:** When invoking the warranty, the product's serial number must be stated as well as any pictures that clarify what is being claimed on the warranty.

**C:** When exchanging parts, these must unconditionally be returned to the seller. If this does not occur, the customer loses the right to warranty compensation.

**The warranty does not cover:** Incorrect installation or a settlement in the ground or timber structure.

## Dismantling

When disassembling the glass railing from ErgoSafe.

### **Note!**

#### *Risk of cuts*

Exercise care when handling glass. The product consists of thermally tempered glass that, in the event of incorrect handling, can break and cause injuries.

### **MATERIAL RECYCLING**

All metals are sorted in containers for metal.

Plastic and rubber are sorted as inflammable materials.

Glass is sorted as filling material.



# ClickitUp<sup>®</sup>

by ErgoSafe<sup>®</sup>

ErgoSafe AB | Reparatörgatan 1 | SE-302 62 Halmstad | +46 (0)10-480 47 00 | [www.ergosafe.se](http://www.ergosafe.se)