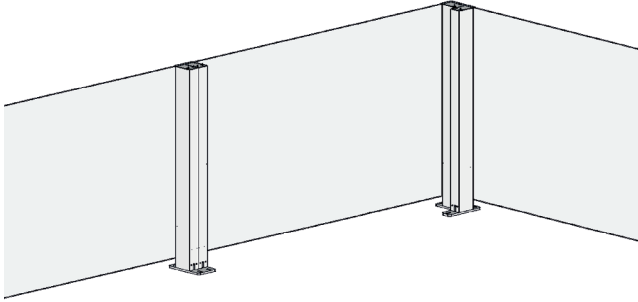


# CiU Fixed

**Product type** Glass balustrade  
**Product family** ClickitUp



## Description

Glass balustrade

## Safety

The balustrade must not be installed where there is a risk of falling

## Manufacturing method

Structural glazing is used to fit the glass to the aluminium posts

## Baseplate mounts

Baseplate mounts are available as single, double and corner variants as well as side baseplate mounts

## Cover caps

Cover caps are available as single, double and corner variants

## Material

Glass, aluminium and stainless steel

## Glass fixed section

Toughened glass 8 mm

## Height lowered balustrade

1100 mm/1200mm

## Width measurement straight section

max 2000 mm

## Width measurement corner section

Offset corner. For other corner solutions contact your seller

## Width measurement door section

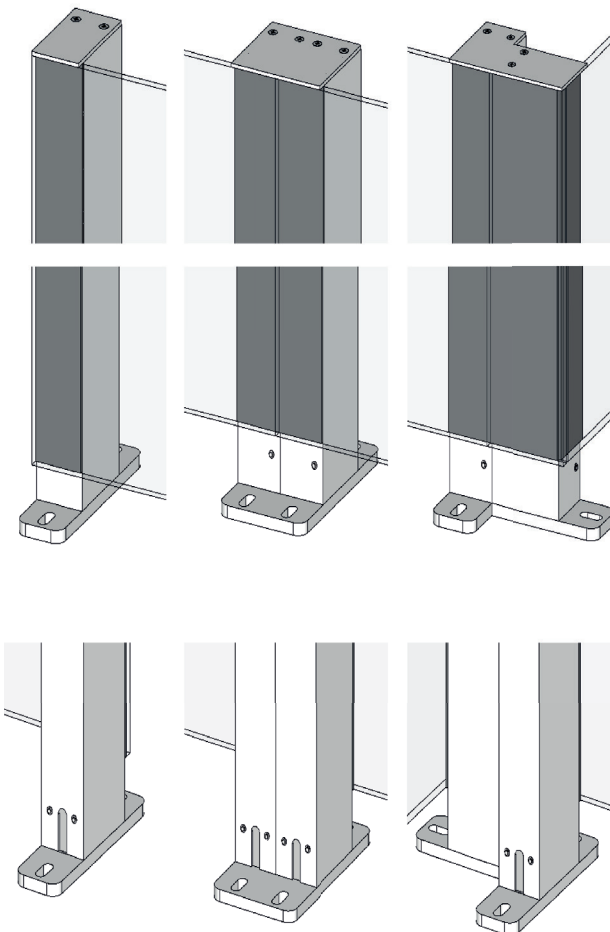
Max measurement 1100 mm (for more info about doors see the separate product sheet)

## Surface treatment

Natural anodised as standard. As an option at an additional charge, black anodised or powder coated in a RAL colour

## Assembly

ClickitUp<sup>®</sup> sections are delivered ready-assembled. Sections are linked together during installation to form a system with the help of double cover caps and double baseplate mounts



# CiU Fixed

